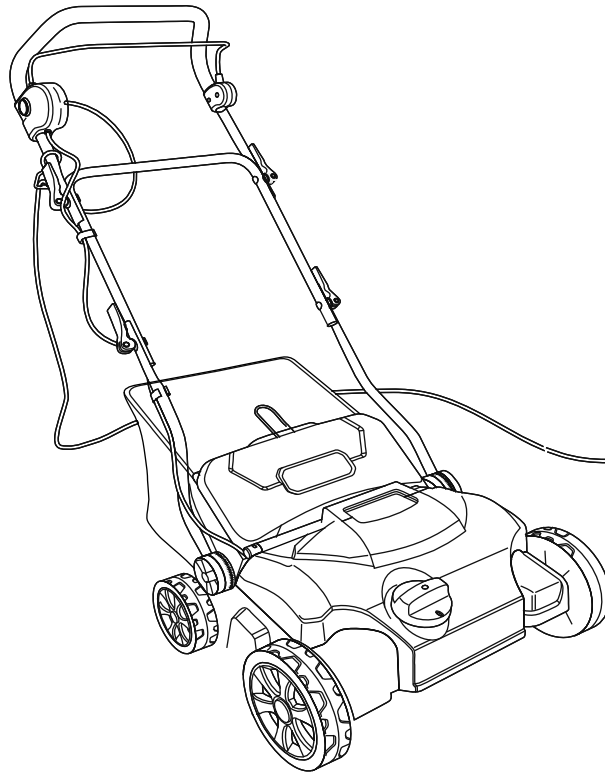


GB

## **ELECTRONIC SCARIFIER**

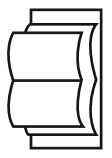
Original Instructions



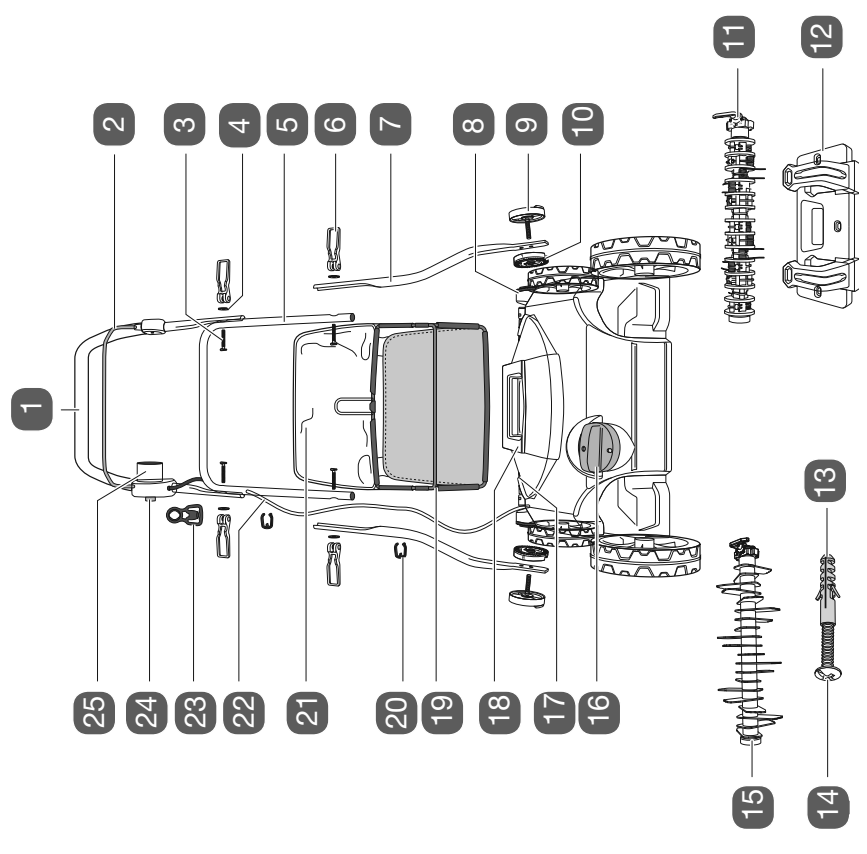
**READ & UNDERSTAND  
INSTRUCTION MANUAL**

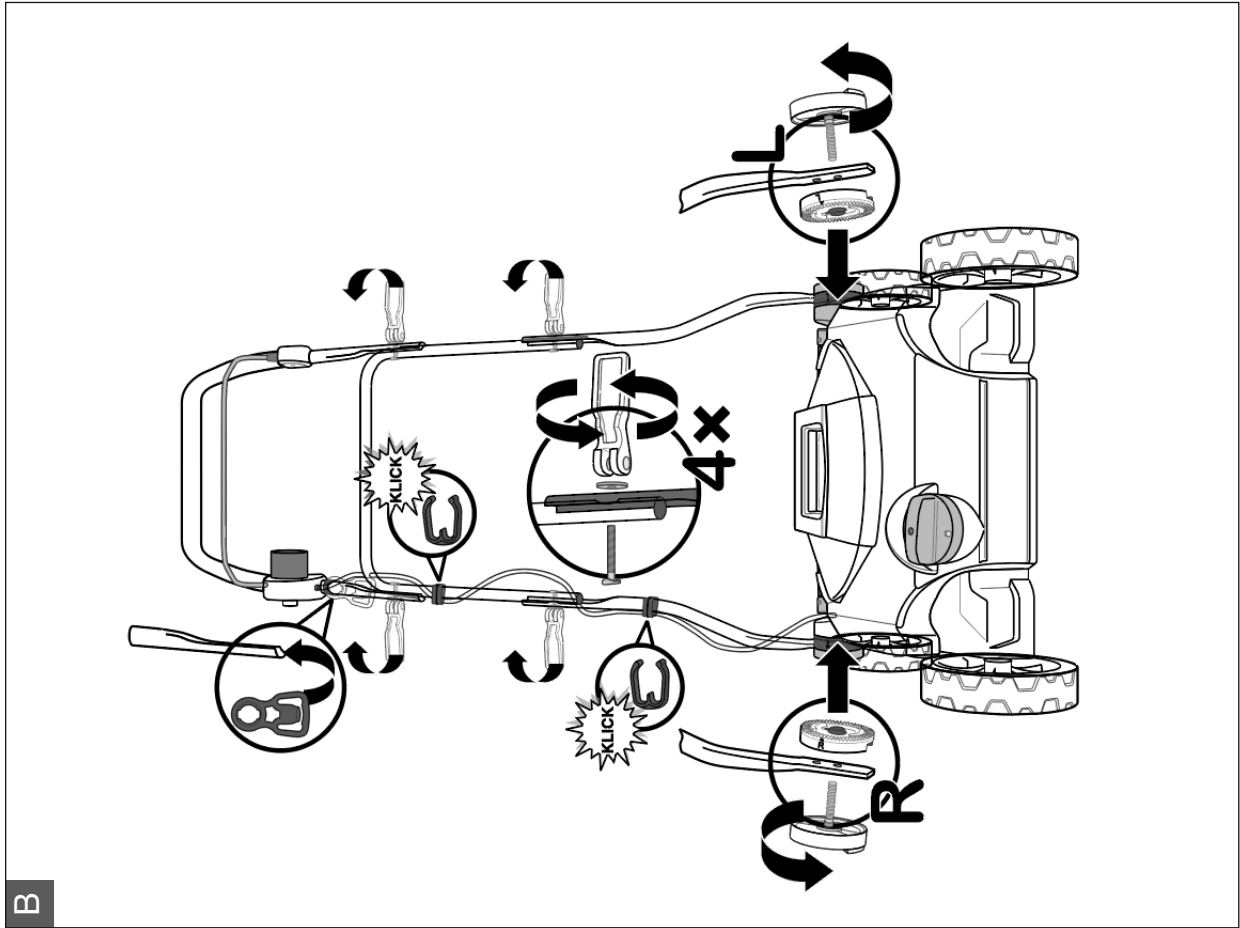


**Save all warnings and instructions for future reference.**

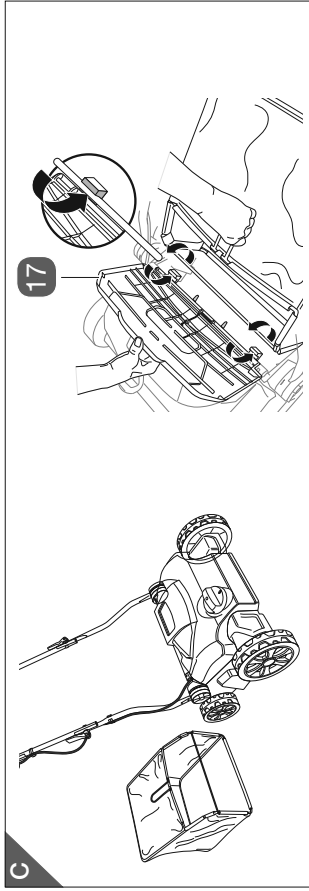


A

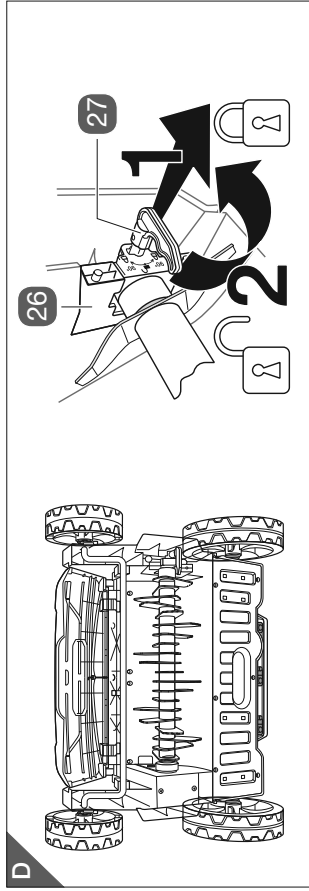




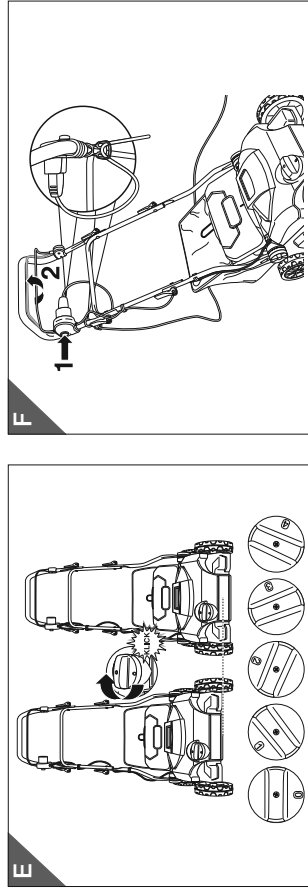
B



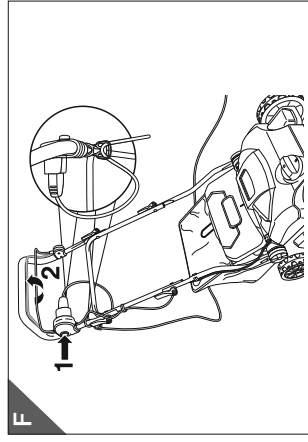
C



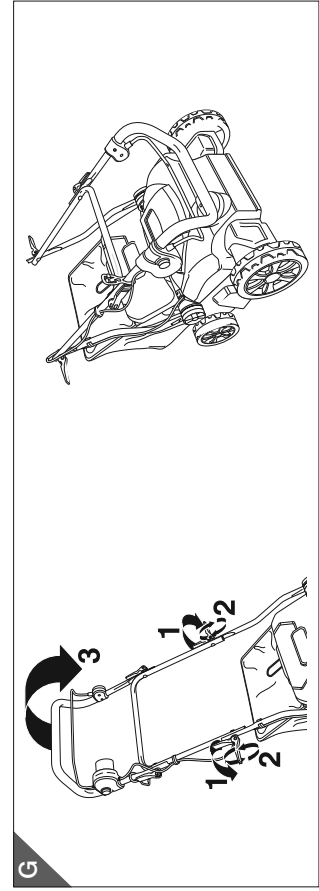
D



E



F



G

# YARD FORCE

## EA U36 Original Instructions

### CONTENT

Intended use	07
Safety	07
Symbols	14
Technical data	17
Description of product	19
Installation	20
Operation	21
Maintenance and storage	26
Troubleshooting	28
Warranty	30
CE declaration	31

### INTENDED USE

The scarifier is designed exclusively for scarifying and aerating the lawn. It is intended exclusively for private use and not suitable for commercial use.

Use the scarifier only as described in these operating instructions. Any other use is considered improper and can lead to property damage or even personal injury. The scarifier is not a children's toy.

The manufacturer or dealer does not accept any liability for damage caused by improper or incorrect use.

### SAFETY

#### Notice Explanation

The following symbols and signal words are used in these operating instructions.



Warning

This signal symbol / word denotes a hazard with a medium level of risk which, if not avoided, can result in death or serious injury.



ATTENTION!

This signal symbol / word denotes a hazard with a low degree of risk which, if not avoided, can result in minor or moderate injury.

NOTE!

This signal word warns of possible property damage.

#### Safe commissioning for scarifiers and fans IMPORTANT

#### READ CAREFULLY BEFORE USE KEEP FOR YOUR DOCUMENTS

##### Training

1. Read the instructions carefully. Make yourself familiar with the controls and the proper use of the machine.
2. Never allow people who are not familiar with these instructions or children to use the machine. Local regulations may limit the age of the user.
3. It must be noted that the user is responsible for accidents or hazards towards other people or their property.

### Preparation

1. When operating the machine, hearing protection and protective goggles must always be worn as long as the machine is in operation.
2. Before use, the connection and extension cables must always be checked for signs of damage or aging. If the cable is damaged during use, it must be disconnected from the power supply immediately. **DO NOT TOUCH THE PIPE BEFORE IT IS DISCONNECTED FROM THE MAINS.** Do not use the machine if the cord is damaged or worn.
3. Always wear sturdy shoes and long trousers when operating the machine. Do not operate the machine barefoot or in light sandals. Avoid wearing loose clothing or clothing with dangling strings or ties.
4. Carefully inspect the area where the machine will be used and remove any objects that the machine could catch and throw away.
5. Use the machine only in the recommended position and only on a firm, level surface.
6. Do not operate the machine on paved or graveled surfaces, where material thrown out can lead to injuries.
7. Before switching on the machine, always check whether all screws, nuts, bolts and other fastenings are well secured and that the protective devices and protective grids are in place. Worn or damaged stickers must be replaced.
8. Never operate the machine while people, especially children, or animals are nearby.

### Operation

1. Work only in daylight or under good artificial lighting.
2. Avoid using the machine when the grass is wet.
3. Always make sure that the machine is always in a good position, especially on slopes. Avoid abnormal posture and always keep your balance.
4. Walk, do not run.
5. Operate the machine at right angles to the slope, never up or down.
6. Be especially careful when changing the direction of travel on a slope.
7. Do not scarify or aerate on excessively steep slopes.
8. Be especially careful when reversing the machine or pulling it towards you.
9. Stop the tines when the machine needs to be tilted for transport over surfaces other than grass and when the machine is moved to and from the surface to be worked.
10. Never use the machine with damaged safety devices or safety grids or without mounted safety devices, e.g. baffle plates and/or catching devices.
11. Start the motor carefully, according to the operating manual and make sure that there is sufficient distance between the feet and the tines.
12. Keep connecting and extension cables away from the tines.
13. When starting the engine, the machine must not be tilted, unless the machine has to be lifted for the operation. In this case, tilt the machine only as far as absolutely necessary and lift only the side facing away from the user. Always make sure that both hands are in working position before the machine returns to the floor.

14. Never transport the machine while the drive is running.
15. Never put hands or feet on or underneath rotating parts. Always stay away from the ejection opening.
16. Switch off the motor and pull the plug out of the socket. Make sure that all moving parts have come to a complete stop:
  - a. Whenever you leave the machine;
  - b. before you remove blockages or clear blockages in the ejection channel;
  - c. before checking, cleaning or working on the machine;
  - d. after contact with a foreign body. Inspect the machine for damage and carry out the necessary repairs before you start again and work with the machine.
17. If the machine starts to vibrate unusually strong, an immediate check is necessary;
  - a. look for damages;
  - b. carry out the necessary repairs of damaged parts;
  - c. check for loose parts and tighten them.
18. Keep children away from the scarifier and the connection cable.
19. Do not leave children unattended during operation.

#### Recommendation

1. The machine should be operated via a residual current device (RCD) with a trigger current of no more than 30 mA.
2. Do not operate the machine in bad weather conditions, especially not in case of danger of lightning.

### Vibration and Noise Reduction

To reduce the influence of vibration and noise, limit working hours and wear personal protective equipment.

Observe the following points to keep the vibration and noise exposure low:

1. Use the product only as intended according to the design and instructions.
2. Make sure that the product is in a good condition and well maintained.
3. Use the correct accessories and ensure that it is in good condition.
4. If excessive vibrations occur, e.g. due to a jammed stone, turn off the machine, disconnect it from the power supply and check the roller. If necessary, have the machine checked by a specialist.
5. Hold the product firmly but not cramped by the handles provided.
6. Maintain the product according to this manual and keep it well lubricated.
7. Plan your working hours according to these operating instructions in order to distribute a higher load over a longer period of time.

#### Emergency

**Familiarize yourself with the use of the product by reading the manual completely. Remember the safety instructions and follow them carefully. This will help you to avoid risks and dangers.**

1. **Always be attentive when using the product so that you can identify and react to hazards at an early stage.**  
Rapid intervention can prevent serious injury and damage to property.

2. Turn off the product, disconnect the power supply and unplug the extension cord from the power outlet if problems occur. Have the product repaired by a qualified expert, if necessary, before using the product again.

### Residual risks

**Even if you use this power tool in accordance with the regulations, there are always residual risks. The following hazards can occur in connection with the design and construction of this power tool:**

1. Injuries and material damage caused by flying parts.
2. Hearing damage if you do not wear suitable hearing protection or use the power tool for a long period of time.
3. Damage to health resulting from hand-arm vibrations if the power tool is used for a long period of time or is not properly operated and maintained.



**Warning!** This power tool generates an electromagnetic field during operation. Under certain circumstances, this field can affect active or passive medical implants. To reduce the risk of serious or fatal injuries, we recommend that persons with medical implants consult their physician and the manufacturer of the medical implant before operating the machine!

## General Safety Instructions



Warning

### Danger of short circuit!

Penetrated liquids can cause a short circuit in the scarifier. If you then come into contact with the vertical scarifier, you may be injured by electric shock. The scarifier can also be damaged by a short circuit.

- If it starts to rain during scarifying, switch off the scarifier immediately, disconnect the mains plug from the extension cable and pull it out of the socket.



Warning

### Danger of electric shock!

Incorrect electrical installation or too high mains voltage can lead to electric shock.

- Only connect the scarifier if the mains voltage of the socket corresponds to the information on the type plate.
- Use an extension cable of type H05 RN-F, H05 VVF or better with a cable cross-section of at least 2 x 1.5 mm<sup>2</sup>. The extension cable must not be longer than 20 m.
- Do not operate the scarifier if it shows visible damage or if the mains cable or the mains plug is defective.
- Do not use the scarifier with a defective extension cable.
- Do not change the motor settings. Do not overload the motor.
- Do not immerse the scarifier, the extension cord and the power plug in water or other liquids.
- Never touch the power plug with wet hands.
- Never pull the power plug out of the socket by the power cord, but always touch the power plug.
- Never use the power cord as a carrying handle. Always carry the scarifier by its carrying handle.
- Keep the scarifier's power cable and the extension cable away from open fires, hot surfaces, oil and sharp edges.
- Lay the power cable in such a way that it does not become a tripping hazard.
- Do not bend the power cord or place it over sharp edges.
- Do not drive the scarifier over the extension cord.
- Make sure that the extension cord is not knotted.
- Ensure that no objects are inserted into the scarifier housing.

## SAFETY

- Switch off the scarifier and disconnect it from the power supply when it is no longer in use, for cleaning or maintenance purposes or if a fault occurs.
- If the power cable from the motor to the start button is damaged, it must be replaced by the manufacturer or its customer service department or a similarly qualified person in order to avoid hazards.



### Warning

#### **Danger of sharp knives!**

The scarifier uses a fast rotating roller with sharp blades. You could injure yourself or others with them if handled carelessly. Small objects (stones, sticks, wires, bones, etc.) can be thrown away from the scarifier by the rotation of the roller. This can cause serious injuries to yourself or others.

- Never lift or carry the scarifier while the motor is running.
- Remember that as an operator, you are responsible for accidents or risks involving other persons or their property.
- Ensure that all nuts, bolts and screws are tightened securely so that the scarifier is in a safe working condition.
- The roller continues to rotate for a short time after the scarifier has been switched off. Wait for the roller to stop before lifting, carrying, tilting or transporting the scarifier.
- Switch off the scarifier and disconnect the extension cable from the power supply before lifting, carrying or tipping the scarifier to another location.
- Never place hands or feet on or under rotating parts. Always keep your hands and feet away from the ejector opening.
- Make sure that there is sufficient distance between the feet and the roller.
- Do not start the engine when standing in front of the ejection channel.

## SAFETY

- Switch off the scarifier and disconnect the extension cable from the power supply before lifting, carrying or tipping the scarifier to another location.
- Never place hands or feet on or under rotating parts. Always keep your hands and feet away from the ejector opening.
- Make sure that there is sufficient distance between the feet and the roller.
- Do not start the engine when standing in front of the ejection channel.



### Warning

#### **Danger of explosion!**

The roller of the scarifier or objects thrown away can cause sparks when hitting metal. These sparks can ignite flammable liquids, gases or dust.

- Do not use the scarifier in environments where there is a risk of explosion due to flammable liquids, gases or dust.



### Warning

**Hazards for children and persons with reduced physical, sensory or mental abilities (e.g. partially disabled, elderly persons with reduced physical and mental abilities) or lack of experience and knowledge (e.g. older children).**

- This scarifier can be used by persons with reduced physical, sensory or mental abilities or lack of experience and knowledge, if they have been instructed or instructed in the safe use of the scarifier and understand the resulting dangers. Children must not play with the scarifier.
- Keep children away from the scarifier and the connecting cable.
- Do not leave the scarifier unattended during operation.



## SAFETY

- Do not let children play with the packaging film. Children can get caught and suffocate while playing.

### NOTE!

#### Danger of damage!

Improper handling of the scarifier may result in damage to the scarifier.

- Do not bring the power cord into contact with hot parts.
- Never expose scarifiers to high temperatures (heating, etc.) or weather conditions (rain, etc.).
- Never fill liquid into the scarifier.
- Never immerse the scarifier in water for cleaning and never use a steam cleaner for cleaning. The scarifier may otherwise be damaged.
- Do not use the scarifier any more if the plastic components of the scarifier have cracks or fissures or have become deformed. Only replace damaged components with suitable original spare parts.
- Switch off the scarifier when areas other than grass are crossed and when transporting the scarifier to and from the area to be worked.
- Do not change the controller setting of the motor or over-rotate it.
- Check the collection bag regularly for wear or damaged parts.

## SYMBOL

The following symbols are used in this operating manual, on the scarifier or on the packaging.



This symbol gives you useful additional information on assembly or operation.



Declaration of conformity (see chapter "Declaration of conformity"): Products marked with this symbol comply with all applicable Community regulations of the European Economic Area.



Wear protective gloves when inserting the roller to avoid injuries.



Always wear sturdy shoes and long pants when working with the scarifier. Do not work barefoot or in light sandals.



Wear hearing protection when using the scarifier.



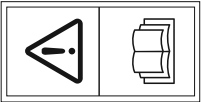
Wear safety glasses when using the scarifier.



Always wear a breathing mask in very dusty working environments.

**SYMBOL**

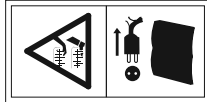
Be careful! The scarifier is under power and contains a roller with sharp blades. Incorrect handling of the scarifier may cause serious injury to yourself or others.  
Please read the operating instructions carefully, especially the safety chapter. Make yourself fully familiar with the operating elements and the correct use of the scarifier.



Make sure that the people around you keep a sufficient safety distance. Flying parts can cause serious injuries.  
Outsiders must keep sufficient distance. Thrown objects can cause serious injuries.



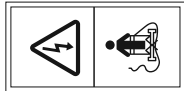
Caution - Keep away sharp prongs, fingers and feet.  
Pull out mains plug before maintenance, adjustment and cleaning work or if the connecting cable is damaged or entangled. Tines run after the motor has been switched off.



**Risk of explosion** - The scarifier roller or objects thrown away can cause sparks when they hit metal. These sparks can ignite flammable liquids, gases or dust.



There is a danger of electric shock.

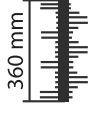


Take care not to drive over the flexible extension cable when scarifying. The roller would cut it. Always hook the cable into the cable safety catch.

**SYMBOL**



The scarifier is double insulated (protection class II).



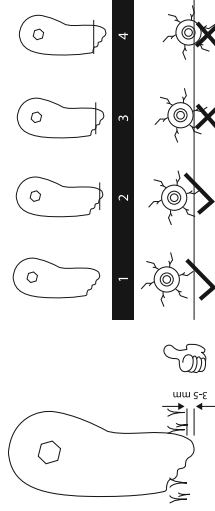
The working width of the roller is approx. 360 mm.



The sound power level  $L_{WA}$  is 102 dB.

**IPX4** Protected against water spray from all sides.

When operating without a collection bag, the cover flap must be completely closed. The plant residues removed by the roller will then remain on the ground and can be removed or distributed as mulch, depending on their condition.



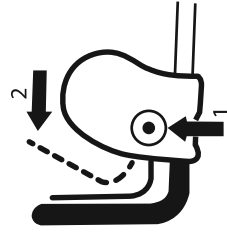
This figure describes the verticut and ventilation height settings.

When scarifying, the roller should cut 3-5 mm into the soil. Four scarifying heights can be set. If the roller cuts too deeply, the ground may be damaged. Airing should only be done in position 1 or 2; never in position 3 or 4.

## SYMBOL

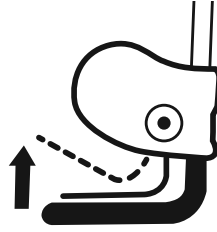
Scarify with a new blade only in position 1. Only when the blade is heavily sharpened - visible through the teeth in the blade - lower to a lower position. Never set the blade lower than the abrasion - this will damage the turf.

Ventilate with light to medium felting in position 1. Only with very heavy felting in position 2. Never set position 3 or 4 with the aerator roller installed; this could lead to considerable damage to the sward, aerator roller and machine.



The scarifier has the following safety mechanism:

To start the scarifier, press the start button and then pull the safety bar to the handlebars. You can then release the start button. The scarifier runs as long as you keep the safety bar pressed against the handlebars.



If you want to switch off the scarifier, release the safety bar.

## TECHNICAL DATA

<b>Model</b>	<b>EA U36</b>
<b>Nominal voltage / Frequency</b>	230-240 V~/50 Hz
<b>Power</b>	1500W
<b>Engine speed Idle speed</b>	3 500 min <sup>-1</sup>
<b>Protection class</b>	II
<b>Weight</b>	17.3 kg incl. packing
<b>Working Width</b>	36 cm
<b>Working depth in mm</b>	-12, -9, -6, -3, +10
<b>Collecting Bag Capacity</b>	45 L
<b>Vibration</b>	6,2 m/s <sup>2</sup> ; K = 3,1 m/s <sup>2</sup>
<b>Protection class</b>	IPX4
<b>Volume</b>	
<b>Measured sound power level (L<sub>WA</sub>)</b>	100.2 dB(A), K = 1.9 dB(A)
<b>Measured sound pressure level (L<sub>PA</sub>)</b>	89 dB(A), K = 1,4 dB(A)
<b>Guaranteed sound power level (L<sub>WA</sub>)</b>	102 dB(A)

Vibration values and noise emission values measured according to DIN EN 50636-2-92. The specified vibration value can be used to compare one power tool with another. The vibration value can also be used to initiate an assessment of the exposure.

## DESCRIPTION OF PRODUCT

The illustration of the principal functioning parts can be found on the front and back foldout pages.

1. Handle Bar
2. Clutch bar
3. 4 x Screw
4. 4 x Washer
5. Upper Handle Bar
6. 4 x Quick Clamp
7. Lower Handle Bar
8. 2 x Handle Support
9. 2 x Adjusting Screw
10. 2 x Toothed Lock Washer
11. Cutting Device (tines)
12. Suspension
13. 3 x Plug
14. 3 x Screw for Suspension
15. Scarifying Roller
16. Scarifying Depth Adjustment
17. Cover Flap
18. Carrying Handle
19. Grass Catcher Frame
20. 2 x Wire Clip
21. Grass Catcher
22. Power Cable
23. Cable Protection
24. Start Button
25. Power Supply

## INSTALLATION

### Check scarifier and scope of delivery

#### NOTE!

#### Danger of damage!

If you open the packaging carelessly with a sharp knife or other pointed objects, the scarifier can quickly be damaged.

- Proceed very carefully when opening.

1. Take the scarifier out of the packaging.
2. Check that the delivery is complete (see Fig. A and list on page 6).
3. Check whether the scarifier or the individual parts are damaged. If this is the case, do not use the scarifier. Contact the manufacturer via the service address stated on the warranty card.

#### Assembly



Make sure that the scarifier is completely assembled before using it.

#### Assemble the Handle Bars

1. Place the lock washers **10** into the Handle Support **8** (see fig. B). Make sure that the toothed lock washer marked "R" or "L" is mounted on the correct side, otherwise the handlebar height cannot be adjusted correctly.
2. Place one Lower Handle Bar **7** on each toothed lock washer. Make sure that the bends of the struts point inwards.
3. Place the Adjusting screws **9** on the struts and tighten them. You now have two struts screwed on.
4. Keep the Upper Handle Bar **5** lying against each other.
5. Insert two screws **3** through the holes so that the heads point inwards and the threads outwards.
6. Place a washer **4** on each screw.

7. Turn one quick release **6** onto each screw.
8. Turn the quick release clamps onto the thread until they are about 5 mm away from the Lower Handle Bar.
9. fold the quick releases upwards so that they are close to the Upper Handle Bar.
10. Put the Cable Protection **23** on the Handle Bar **1**.
11. Hold the Handle Bar to the Upper Handle Bar so that the holes are aligned.
12. Connect the Handle Bar to the connecting tube by also using two screws, nuts and quick release.
13. Secure the power cable **22** by fixing it with the two cable clamps **20**.

You have successfully assembled the Handle Bar.

**Assemble the Grass Catcher**

1. Pull the Grass Catcher **21** onto the Grass Catcher Frame
19. Make sure that the handle is on the outside.
2. Fasten the Grass Catcher to the Grass Catcher Frame with the clamping straps.
3. Lift the cover flap **17** (see fig. C)
4. Hang the Grass Catcher in the scarifier.

You have completely assembled the scarifier.



Alternatively, you can also use the scarifier without a Grass Catcher. The plant residues removed by the roller then remain on the ground and can be removed or distributed as mulch, depending on their condition.



Warning

**Danger of injury!**

The scarifier uses a fast rotating roller with sharp blades or tines. You could injure yourself or others if handled carelessly. Small objects (stones, sticks, wires, bones, etc.) can be thrown away by the rotation of the roller. This can cause serious injuries to yourself or other people. Furthermore, the scarifier is under power. Incorrect handling may result in a short circuit, explosion or electric shock.

- Do not use the scarifier in rain or thunderstorms.
- Check the terrain on which you wish to use the scarifier.
- Remove stones, sticks, wires, bones and other foreign bodies that could be caught and thrown away.
- Never use the scarifier while persons, especially children, or animals are nearby.
- Before each use, always check visually whether the working tools and bolts are worn or damaged. Only replace worn or damaged tools completely to avoid imbalance.
- Only work with the scarifier in daylight or under good artificial lighting.
- Wear gloves when changing the roller to avoid injuries.
- Only move the scarifier at walking speed.
- Hold the scarifier firmly by the handlebars with both hands.
- Be particularly careful when reversing the scarifier or pulling it towards you.
- Avoid using the scarifier when the grass is wet or exercise special care to avoid slipping.
- Always ensure that you stand securely, especially on slopes.

- Always work at right angles to the slope, never up or down.
- Be especially careful when changing the direction of travel on a slope.
- Do not work on excessively steep slopes.
- Switch off the scarifier and unplug the mains plug from the socket. Wait until the roller has come to a standstill before loosening blockages or removing blockages in the discharge opening.
- If you interrupt the work, stop the scarifier and pull the power plug from the socket.
- Switch off the scarifier and wait until the roller has come to a standstill before removing or attaching the collection bag.
- Always wear sturdy shoes and long pants when working with the scarifier. Do not work barefoot or in light sandals.
- Wear hearing protection when using the scarifier.
- Wear safety glasses when using the scarifier.
- Always wear a breathing mask in very dusty working environments.



Over time, lawns form a felt layer of stalks, shoots or moss. In addition, the turf hardens, which reduces the soil's ability to absorb water. Therefore, you should scarify the lawn twice a year. Spring is particularly recommended as soon as the ground frost has thawed. A second scarifying in late summer allows enough regeneration time before winter. If the grass surfaces are very matted, you should scarify lengthwise and crosswise.

You can also aerate the lawn as required. The lawn should be mowed before.

Make sure that there is sufficient watering after each mowing so that the exposed lawn does not dry out.

## Select/Replace Roller


Two rollers are included in delivery:

- The Cutting Device 11 is useful if you want to remove moss and lawn felt and collect them in a Grass Catcher 21.
- The scarifying roller 15 is useful for regenerating lawn care.



## Danger from sharp knives and prongs!

The scarifier uses a fast rotating roller with sharp blades or tines. You could injure yourself or others if handled carelessly. Small objects (stones, sticks, wires, bones, etc.) can be thrown away from the machine by the rotation of the roller. This could cause serious injury to yourself or others.

- Check that you have correctly assembled the scarifier before use.
  - Wear protective gloves when inserting the roller to avoid injury.
1. Place the scarifier on an even and dry surface.
  2. Make sure that the scarifier is not connected to the power supply.
  3. Turn the scarifier over (see Fig. D).
  4. Pull out the lever **27**.
  5. Turn the lever to the setting .
  6. Push the roller outwards.
  7. Remove the roller.
  8. Now insert the Cutting Device or the scarifier roller 15 into the scarifier in such a way that it engages in the bracket 26 at the front and rear and fits.
  9. Turn the lever 90° to the setting  until it engages.

## Scarifying Depth Adjustment

### NOTE!

#### Risk of damage

If the working depth is set incorrectly, the roller or the substrate may be damaged.

- Check the set working depth before each use to avoid damage to the ground.
- The height adjustment is useful if you want to transport the scarifier. You can also use the height adjustment to determine the working depth for your lawn. In the delivery condition, the scarifier is set to a working depth of 3 mm.
- If you push the scarifier over a hard surface such as stone, set it high enough so that the roller does not touch the ground.
- If the scarifier is standing on the working surface, lower it so that the roller touches the ground.
- 1. if you want to raise the scarifier, turn the Depth Adjustment to position "0" (+10 mm, park position/transport position) (see fig. E).
- 2. To lower the scarifier in steps, turn the height adjustment to the desired position:
  - Scarifying (scarifying roller)
  - When scarifying, the roller should cut 3-5 mm into the soil. Deeper penetration will damage the turf. The indicated penetration depths refer to a brand new blade.
  - Position 1 (-3 mm) with new knife
  - Position 2 (-6 mm) with light grinding of the knife
  - Position 3 (-9 mm)/position 4 (-12 mm) for readjustment in case of correspondingly advanced sharpening, visible through the serrations in the knife.

Ventilation (Cutting Device)

1. Position 1 for light to medium felting
2. Position 2 for very heavy felting
3. The Cutting Device must never be operated in position 3 or 4. This could lead to considerable damage to the turf, Cutting and machine.

### Adjust Handle Bar

You can adjust the height of the Handle Bar **1** and adapt them to your body height.

1. Loosen the adjustment screws **9** a little bit.
  2. Bring the handlebars to a height that is comfortable for you.
  3. Tighten the adjustment screws again.
- The Handle Bar must be adjusted to the same height on both sides. You can check this by means of the markings on the fixtures **8** and the lock washers **10**.


### Switch on the Scarifier

1. Take an extension cable and plug it into the mains connection **25** of the scarifier (see fig. F).
2. Secure the extension cable with the cable lock **23** (see Fig. F).
3. Plug the extension cable into a suitable socket.
4. Press the Start button **24**.
5. Keep the Start button pressed while pulling the Clutch Lever **2** to the Handle Bar **1**.
6. You can now release the Start button.
7. As long as you hold the Clutch Bar, the scarifier remains switched on.

**Switch off the scarifier**

1. Release the Clutch bar **2** to switch off the scarifier.
2. As soon as the scarifier stops, disconnect the connecting cable from the socket and the mains connection **25** of the scarifier.

**Empty Grass Catcher**

 The lawn felt made of cuttings and moss makes an excellent material for composting. To prevent the grass and moss residues from sticking together, they must be mixed with other garden waste, such as brushwood.

- You mount and dismount the Grass Catcher as described in chapter “Assembly the Grass Catcher”.



Warning

**Danger of short circuit!**

Liquids that have penetrated the scarifier can cause a short circuit and electric shock. You may become injured if you then come into contact with the scarifier.

- Ensure that no liquid enters the housing of the scarifier.
- Do not spray the scarifier with a water jet.
- Do not immerse the scarifier in water for cleaning. Do not allow any liquid cleaning agents to penetrate into the vertical scarifier.
- Keep the scarifier and the motor housing free of dust and dirt.



Warning

**Danger of injury!**

Accidental start-up of the scarifier can lead to serious injuries.

- Ensure that the scarifier is switched off and that the blades do not run after the scarifier.
- Always disconnect the extension cable from the power supply before cleaning.



Warning

**Danger of injury!**

The roller of the scarifier is equipped with sharp blades. Improper cleaning can lead to injuries.

- Wear protective gloves when cleaning the roller.



**NOTE!**

**Danger of damage!**

Improper handling of the scarifier may result in damage to the scarifier. If you use unsuitable cleaning agents, you may damage the surface of the scarifier.

- Do not use any aggressive cleaning agents, brushes with metal or nylon bristles or any sharp or mechanical cleaning objects such as knives, hard spatulas and similar.
- Clean the scarifier after each use if possible.

**Cleaning the scarifier**

1. Before cleaning, disconnect the extension cable from the power supply **25**.
2. Clean the scarifier with a damp cloth until it is free of plant juices, water and dirt.
3. Allow all parts to dry completely afterwards.

**Cleaning the Roller**

1. Before cleaning, disconnect the extension cable from the power supply **25**.
2. Clean the Cutting Device **11** and the scarifier roller **15** with a soft brush. Wear protective gloves.

**Cleaning Grass Catcher**

1. Before cleaning, disconnect the extension cable from the power supply **25**.
2. Empty the collection bag **21** as described in chapter "Empty collection bag".
3. Brush the bag with a soft brush.

**Maintenance**



**Danger of injury!**

Electrical installation or too high mains voltage can lead to electric shock.

- Do not open the housing, but leave the repair to qualified personnel. Contact a specialist workshop for this purpose. Liability and warranty claims are excluded in case of repairs carried out independently, improper connection or incorrect operation.
- If the power cable of the scarifier is damaged, it must be replaced by the manufacturer or his customer service or a similarly qualified person.
- Ensure that only parts which correspond to the original equipment data may be used for repairs. There are electrical and mechanical parts on this scarifier which are essential for protection against sources of danger.
- Switch off the scarifier and disconnect it from the power supply when it is no longer in use, when you wish to clean or maintain it or when a fault occurs.

Check the scarifier regularly for its condition. Among other things, check that

- the switches are undamaged,
- the accessories are in perfect condition,
- all nuts, bolts and screws are tightened,
- the power cable and the mains plug are undamaged,
- the Grass Catcher **21** is undamaged,
- the Cutting roller **11** or scarifier roller **15** is free and clean. If necessary, use a soft brush or paint brush to clean it.

**If you discover any damage, you must have it repaired by a specialist workshop to avoid any hazards.**

**Spare Parts List**

If you need spare parts, contact the manufacturer via the service address given on the warranty card.

Part description	Part number
Quick release fastener set	<b>3 / 6</b>
Fan Roller	<b>11</b>
Wall bracket with dowels and screws	<b>12 / 13</b>
Scarifying roller	<b>15</b>
Cable clamp, 2x	<b>20</b>
Catcher bag	<b>21</b>
Cable protection	<b>23</b>

**Storage and Transport**



**Danger of injury!**

- Incorrect storage can cause damage to the scarifier. Children can also be injured.
- Ensure that the scarifier is kept out of the reach of children, unauthorised persons and animals.
  - Disconnect the scarifier from the power supply when storing it or not using it for a longer period of time.

**NOTE!**

**Danger of damage!**

Improper handling of the scarifier may cause damage.

- Protect the scarifier from sunlight, dust, dirt, moisture and frost.
- Ensure that the power cable is not bent.
- Clean the scarifier as described in the chapter “Cleaning and Care”.
- Set the scarifier above the height adjustment position and push it to the storage location.

**Folding the Scarifier**

You can fold up the Handle Bar of the scarifier. This enables space-saving storage.

1. Loosen the Quick Release **6**, which connects the Upper Handle Bar **5** with the Lower Handle Bar **7**, a little bit (see fig. G).
2. You can now fold the Handle Bar **1** forwards so that they lie on the scarifier.
3. You can make further adjustments with the quick-releases on the handlebars.

**Scarifier Transport**

1. Hold the scarifier with one hand on the Handle Bar **1** and with the other hand on the carrying handle **18**. **Do not carry the scarifier by the Cutting roller 11 or the Scarifier roller 15.**
2. Fold the scarifier as described in the chapter “Folding the scarifier”.
3. Secure the scarifier against slipping when transporting it in a vehicle.
4. Use the original packaging for transport if possible.

**Suspend Scarifier**

If you not only want to fold up the scarifier, but also hang it up, use the supplied hanger.

1. Select a suitable place for the suspension **12**. This should be dry and airy.
2. Hold the suspension on a wall that is stable and high enough.
3. Fix the hanger with screws **14** and Plug **13**.
4. Fold the handlebars forward and the connecting tube backward.
5. Hang the scarifier with the crossbar of the connecting tube in the suspension.

<b>Error</b>	<b>Possible cause</b>	<b>Removal</b>
The motor will not start.	The mains connection is defective.	Check the cable and fuse.
	The power cable is defective.	Check the power cable.
	The switch is defective.	Call customer service.
	The connections at the motor are loose.	Call customer service.
The motor has misfiring.	The scarifier housing is clogged.	Change the scarifying depth and clean the housing.
	The power cable is not plugged in correctly.	Check the plug connection on the machine and the extension cable for tightness.
The motor power decreases.	The floor is too hard.	Correct the scarifying depth.
	The scarifier housing is clogged.	Clean the housing.
It is scarified uncleanly.	The roller is worn out.	Replace the roller.
	The roller is worn.	Replace the roller.
	The scarifying depth is incorrect.	Correct the scarifying depth.
The motor is running, the roller is not.	The lawn is too high.	Mow the lawn.
	The toothed belt is torn.	Call the customer service.
The scarifier is very loud.	Individual parts are not correctly mounted and/or screws are loose.	Check the individual parts for correct assembly and tighten loose screws.
	Foreign objects on the roller strike against the scarifier.	Remove the foreign bodies.

## DISPOSAL

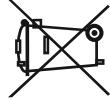
### Dispose of Packaging



Dispose of the packaging according to its type. Add cardboard and cartons to the waste paper, foils to the recyclables collection.

### Scarifier Disposal

(Applicable in the European Union and other European countries with systems for separate collection of recyclables)



Old devices must not be disposed of in the household waste!  
If the scarifier can no longer be used, every consumer is legally obliged to dispose of old appliances separately from household waste, e.g. at a collection point in his community/ his district. This ensures that old appliances are recycled properly and that negative effects on the environment are avoided. can be avoided. Therefore, electrical appliances are marked with the symbol shown here.

## CE DECLARATION

### Declaration of Conformity

Original EU Declaration of Conformity  
We,  
SUMEC UK  
Unit A&B Escrick Business Park Escrick, York YO19 6 FD  
United Kingdom

hereby declare that our product  
Electric scarifier model no. EA U36

#### Complies with the following guidelines:

2006/42/EC Machinery Directive 2014/30/EU EMC Directive  
2000/14/EC Outdoor Directive, amended by 2005/88/EC  
Sound power level measured on equipment and machinery representative of this type  
 $L_{WA} = 100.2$  dB(A) (K = 1,9 dB(A))  
Sound power level guaranteed for these devices and machines  
 $L_{WA} = 102$  dB(A) 2011/65/EU\*) RoHS Directive  
2012/19/EU WEEE Directive

#### Applied harmonized standards and specifications:

EN 60335-1:2012+A11:2014, EN 50636-2-92:2014  
EN 55014-1:2017  
EN 55014-2:2015  
EN 61000-3-3:2013  
EN 61000-3-2:2014  
EN 50581:2012

Authorized Signatory Date: 23.04.2020

Signature: 

Place: York

Name: Mariana Hall  
General Manager

SUMEC UK Co., Ltd.  
Unit A&B Escrick Business Park Escrick  
York YO19 6FD, United Kingdom



\*) The subject of the declaration described above complies with the provisions of Directive 2011/65/EU of the European Parliament and of the Council of 8 June 2011 on the restriction of the use of certain hazardous substances in electrical and electronic equipment.